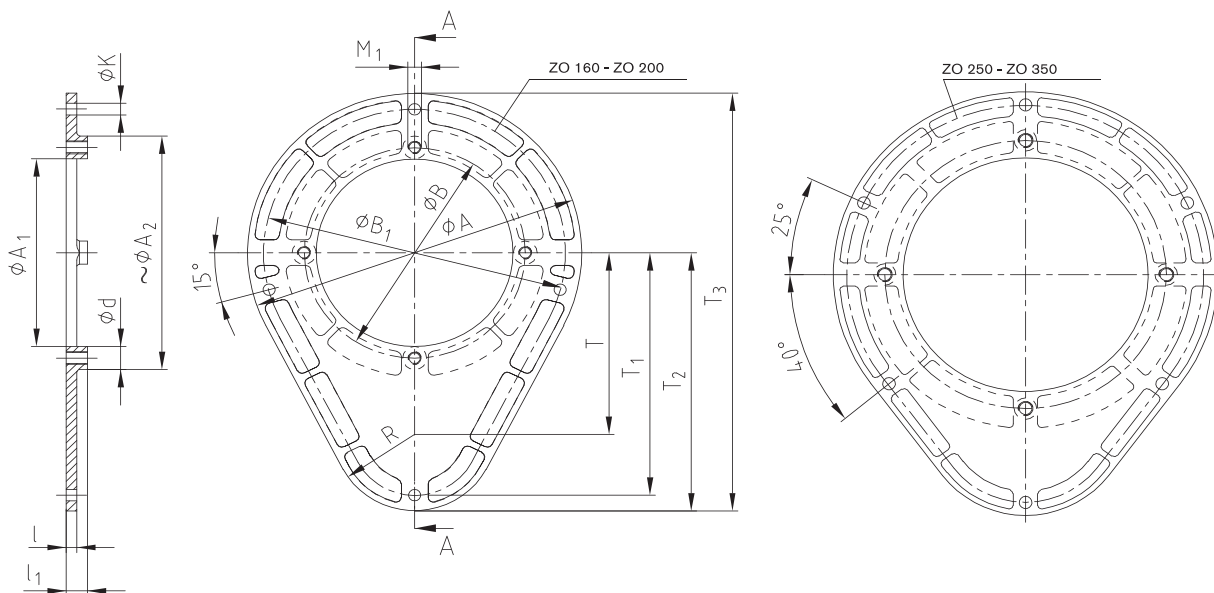
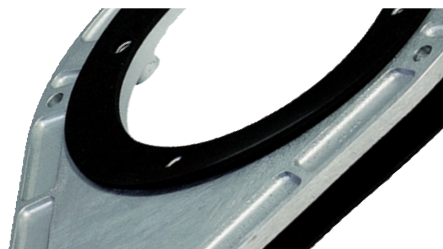


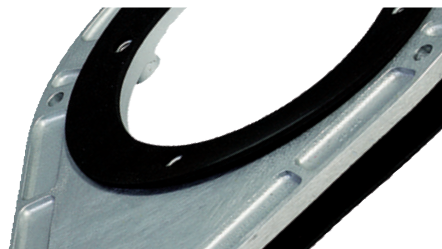
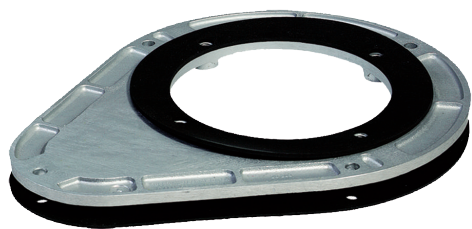
钟形罩安装法兰



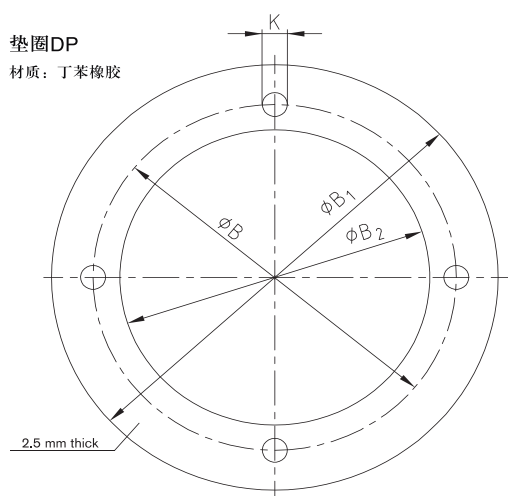
ZO安装法兰																	
规格	尺寸 (mm)																
	A	A <sub>1</sub>	~A <sub>2</sub>	B	B <sub>1</sub>	K	M <sub>1</sub>	R	T	T <sub>1</sub>	T <sub>2</sub>	T <sub>3</sub>	d	l	l <sub>1</sub>	DZ垫圈 (厚度2.5mm)	DP垫圈 (厚度2.5mm)
ZO 160	210	112	150	130	185	9	M8	60	97.5	145	157.5	262.5	18	7	15	DZ 160	DP 160
ZO 200	250	147	187	165	225	9	M10	60	142.5	190	202.5	327.5	18	8	16	DZ 200	DP 200
ZO 250	300	192	239	215	275	9	M12	60	142.5	190	202.5	352.5	20	8	16	DZ 250	DP 250
ZO 300	360	236	289	265	330	14	M12	60	150	225	240	420	20	10	18	DZ 300	DP 300
ZO 350	410	262	332	300	380	14	M16	110	160	255	270	475	24	12	20	DZ 350	DP 350

订货描述示例:	ZO 300
	ZO安装法兰规格

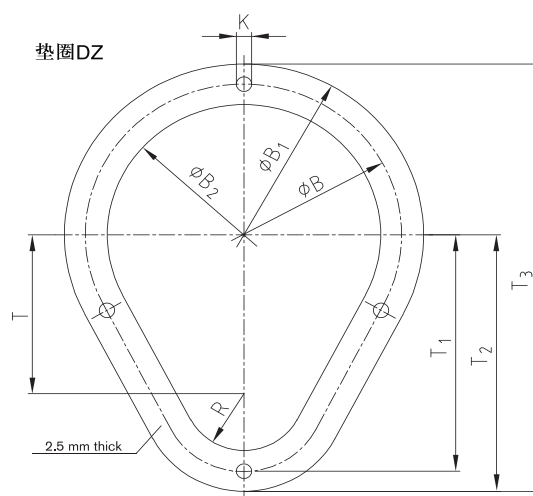
钟形罩安装法兰



垫圈DP  
材质：丁苯橡胶



垫圈DZ



钟形罩和安装法兰间的垫圈  
尺寸 (mm)

规格	尺寸 (mm)								
	B	B <sub>1</sub>	B <sub>2</sub>	T	T <sub>1</sub>	T <sub>2</sub>	T <sub>3</sub>	K	R
DP 160	130	160	111	-	-	-	-	4 x 9	-
DP 200	165	200	146	-	-	-	-	4 x 11	-
DP 250	215	250	191	-	-	-	-	4 x 13	-
DP 300	265	300	235	-	-	-	-	4 x 13	-
DP 350	300	350	261	-	-	-	-	4 x 17	-
DP 400	350	400	301	-	-	-	-	4 x 17	-
DP 450	400	450	351	-	-	-	-	4 x 17	-
DP 550	500	550	451	-	-	-	-	4 x 17	-
DZ 160	185	210	160	97.5	145	157.5	262.5	4 x 9	35
DZ 200	225	250	200	142.5	190	202.5	327.5	4 x 9	35
DZ 250	275	300	250	142.5	190	202.5	352.5	6 x 9	35
DZ 300	330	360	300	150	225	240	420	6 x 14	60
DZ 350	380	410	350	160	255	270	475	6 x 14	80

订货描述示例:

DP 300

ZO密封垫圈规格